

KC70H-4

Specifications

For Earth, For Life

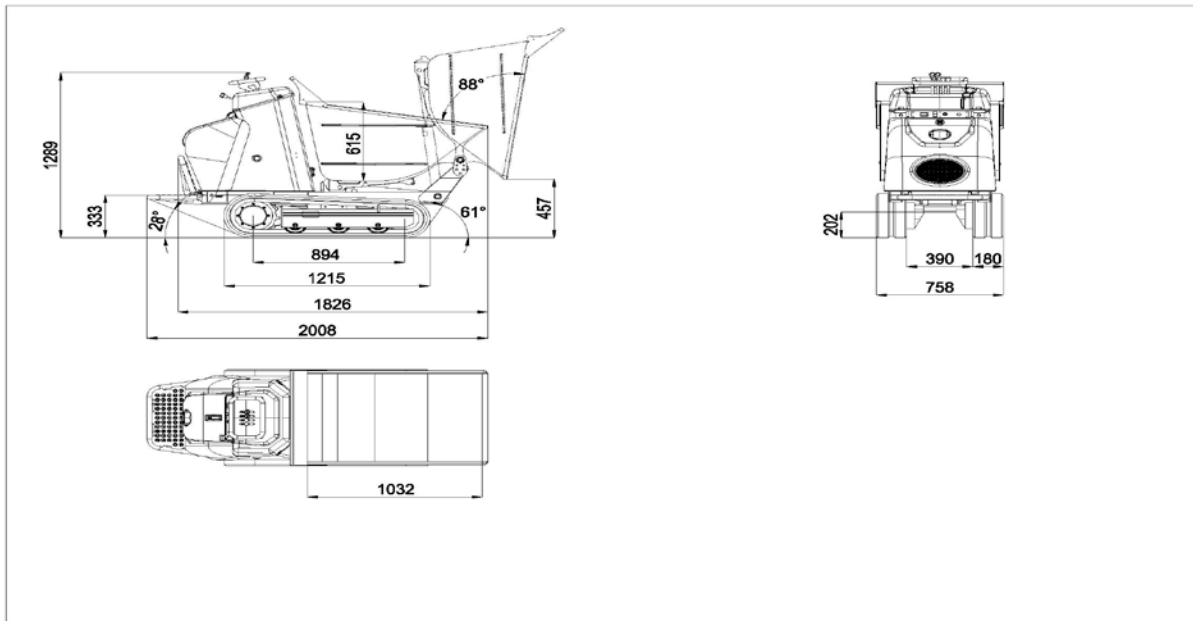


Model name		KC70H-4	
Engine	Make	Kubota	
	Model	OC95	
	Output	Kw(Hp)	7.1(9.5)
		Rpm	3400
Displacement	Cc	416	
Service weight	kg	580	
Max loading capacity	kg	700	
Carrier type rotary / dumping direction		One-way dump Front	
Transmission	Type	Hydraulic	
	Pumps	2 gear type	
Machine Dimensions	Overall length	mm	1826*2008
	Overall height	mm	1300
	Overall width	mm	758
Internal skip dimensions	Length	mm	1030
	Width	mm	675
	Height	mm	615
	Dumping angle		88°
	Heaped volume	m3	0,34
Undercarriage	Ground Clearance	mm	200
	Tumbler distance	mm	894
	Rubber shoe width	mm	180
Driving speed(forward/reverse)	1st speed	km/h	0 ~ 2.6
	2nd speed	km/h	0 ~ 3.8



* With foot step folded

Dimensions



Kubota Europe S.a.s.

19-25 rue Jules Verceyrysse
 BP 50088-Z.I.
 95101 Argenteuil Cedex
 France
 Tel: +33(0)1 34 26 34 34
 Fax : +33(0) 1 34 26 34 21
www.kubota.fr