

KC110HR-4

For Earth, For Life



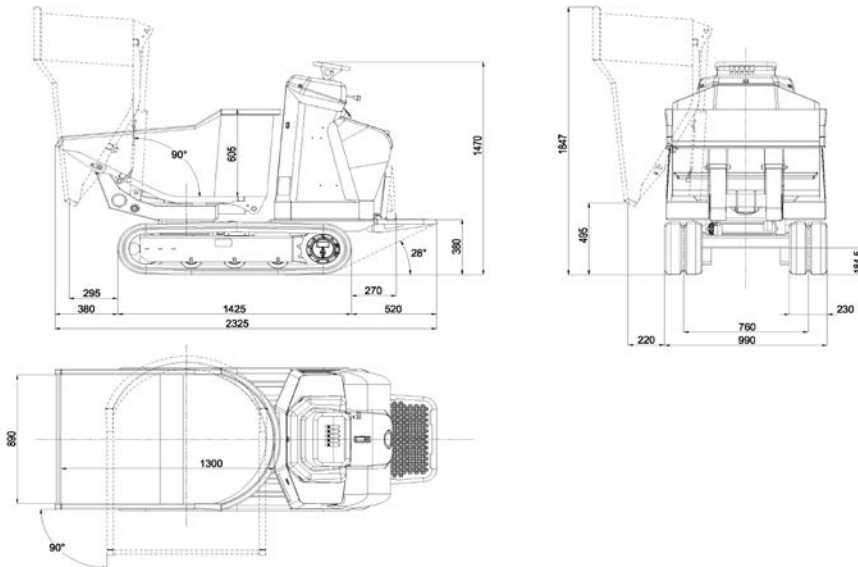
Specifications

Model name		KC110HR-4	
Engine	Make	Kubota	
	Model	D722	
	Output	Kw(Hp)	11.8(15.7)
		Rpm	2550
Displacement	Cc	719	
Service weight	kg	960	
Max loading capacity	kg	1000	
Carrier type rotary / dumping direction		180° / Rotary	
Transmission	Type	Hydraulic	
	Pump	2 variable	
Machine Dimensions	Overall length	mm	2222*/2325
	Overall height	mm	1530
	Overall width	mm	990
Internal skip dimensions	Length	mm	1300
	Width	mm	890
	Height	mm	605
	Dumping angle		90°
	Heaped volume	m3	0,52
Undercarriage	Ground Clearance	mm	185
	Tumbler distance	mm	1075
	Rubber shoe width	mm	230
Driving speed(forward/reverse)	1st speed	km/h	0 ~ 2.6
	2nd speed	km/h	0 ~ 5.3



*With foot step folded

Dimensions



Kubota Europe S.a.s.

19-25 rue Jules Vercreysson

BP 50088-Z.I.

95101 Argenteuil Cedex

France

Tel: +33(0)1 34 26 34 34

Fax: +33(0)1 34 26 34 21

www.kubota.fr