

# KC250HR-4

For Earth, For Life

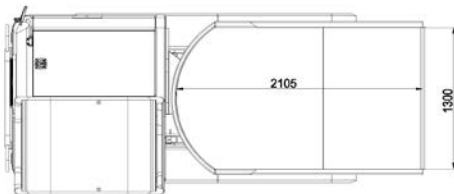
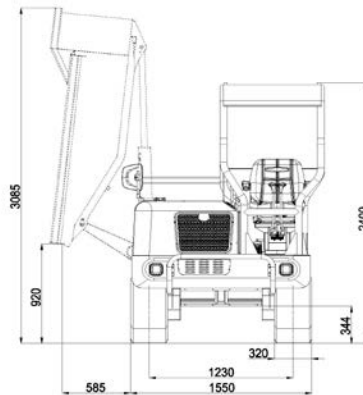
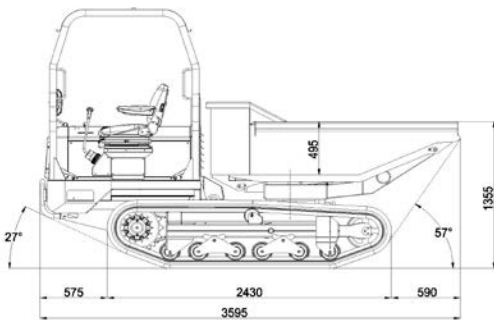


## Specifications

<b>Model name</b>		<b>KC250HR-4</b>	
Engine	Make	Kubota	
	Model	V2203	
	Output	Kw(Hp)	33.4(45.5)
		Rpm	2300
Displacement	Cc	2197	
Service weight		kg	2700
Max loading capacity		kg	2500
Carrier type rotary / dumping direction		180°/ Rotary	
Transmission	Type	Hydrostatic	
	Pump	2 Hydrostatic	
Machine Dimensions	Overall length	mm	3595
	Overall height	mm	2400
	Overall width	mm	1660
Internal skip dimensions	Length	mm	2090
	Width	mm	1300
	Height	mm	495
	Dumping angle		85°
	Heaped volume	m3	1,49
Undercarriage	Ground Clearance	mm	344
	Tumbler distance	mm	1927
	Rubber shoe width	mm	320
	Driving speed(forward/reverse)	1st speed	km/h
2nd speed		km/h	0 ~11



## Dimensions



**Kubota Europe S.a.s.**

19-25 rue Jules Vercurysse

BP 50088-Z.I.

95101 Argenteuil Cedex

France

Tel: +33(0)1 34 26 34 34

Fax : +33(0) 1 34 26 34 21

[www.kubota.fr](http://www.kubota.fr)