

Wheel Loader RT 140/140D

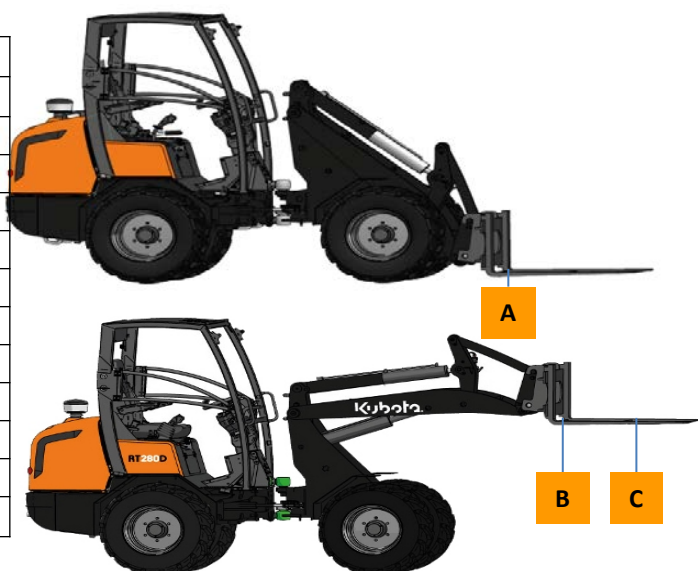
For Earth, For Life
Kubota



Standard Equipment	RT140	RT140D
Tyres 26 x 12.0-12 Skid	✓	
Tyres 31 x 15.5-15 TR-06		✓
Transmission: hydrostatic 4 wheel drive with automotive control	✓	✓
Driving system: one hydraulic motor for each axle	✓	✓
Electric shuttle on joystick	✓	✓
Front attachment controlled by joystick	✓	✓
Auxiliary circuit 1 at front end - double acting - mechanically activated	✓	✓
Floating position	✓	✓
ROPS / FOPS canopy including safety doors	✓	
ROPS / FOPS canopy deluxe version (safety doors-4 working lights)		✓
Deluxe seat with safety belt, armrest and extended backrest	✓	✓
Auxiliary circuit 2 at front end - double acting - electric activated		✓
Main switch	✓	✓
Towing hook	✓	✓
Working light on arm	✓	✓
Cyclone filter	✓	✓
Oil Cooler	✓	✓
Traffic homologation kit (traffic lights and mirrors)	✓	✓
Counterweight		✓
Parking brake: drum brakes	✓	✓
Hydraulic quick-hitch standard	✓	✓

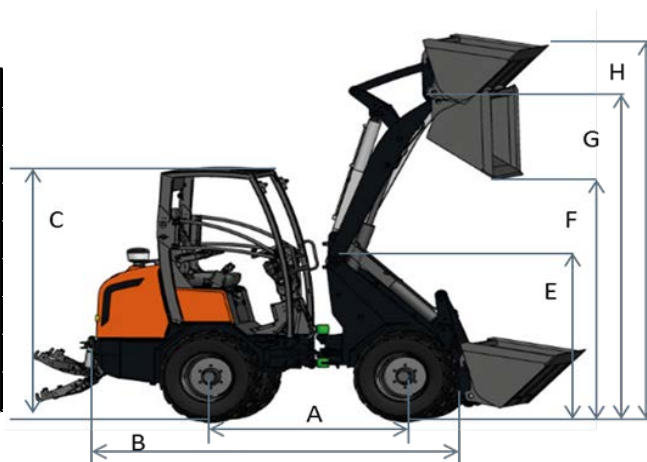
Specifications

Model name		RT140/D	
Engine	Make	Kubota	
	Model	D1105	
	Displacement	CC	1123
	Output	HP(kW)	26(19)
Service weight	kg	1480	
Tipping load	kg	1040	
Driving speed	km/h	0~12	
Lifting capacity	A	kg	1376
	B	kg	800
	C	kg	580
Auxiliary circuit	Oil flow	LT/Min	42
	Oil pressure	Bar	180



Dimensions

Model name		RT140/D	
A	Wheel base	mm	1368
B	Overall length w/o bucket	mm	2669
C	Overall height with canopy	mm	2165
D	Overall width	mm	1100
E	Height front frame	mm	1535
F	Max. dumping height	mm	1827
G	Max. bucket pin height	mm	2558
H	Height with bucket	mm	3138



Basic accessories

Earth bucket



Pallet fork

